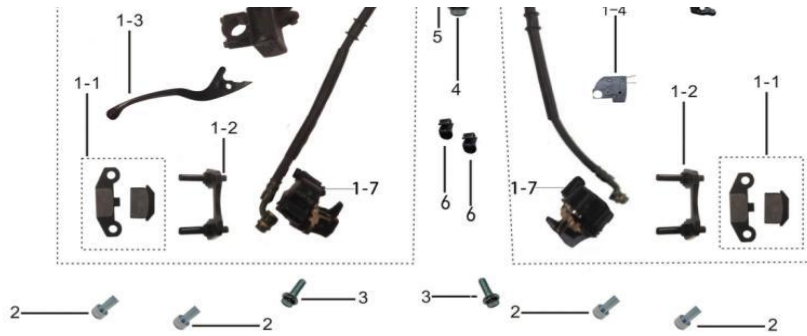


方向把组件

No.	U8 Code	Model	EN name	Qty/vehicle
1	602006-0026	AT110	grip	2
2	313001-0008	AT110	Multi-functional switch	1
3	602001-0019	AT110	handlebar 670*111 Φ5	1
4	602017-0006-02	AT110	padding 127*74*43	1
5	313003-0011-02	AT110	stop switch	1
6	602014-0036	AT110	throttle cable 600/72	1
7	602011-0008-02	AT110	accelerator	1
8	906003-0002	AT110	plastic belt 5*200mm	2
9	602015-0003	AT110	choke cable 600/50	1
10	903004-0009	AT110	split washer Φ2.5*6*0.3	1
11	903020-0025	AT110	screw M4*20	1

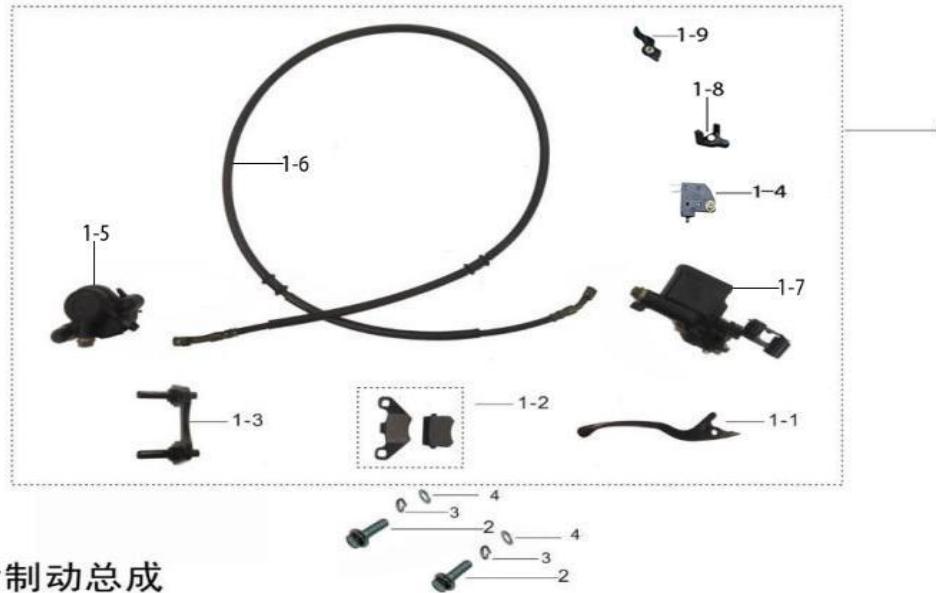




前制动总成

No.	U8 Code	Model	EN name	Qty/vehicle
1	404000-0147	AT110	front brake assy L=460+450*2	1
1	404000-0147-02	AT110	front brake assy L=460+440*2(1.1.24~)	1
1-1	404007-0011	AT110	front brake pad	2
1-2	404008-0011	AT110	front brake bracket	2
1-3	404002-0016	AT110	right brake lever	1
1-4	404011-0014	AT110	front brake switch	1
1-4	404011-0022	AT110	front brake switch for new front b	1
1-5	404003-0007	AT110	Front brake upper cylinder	1
1-6	404005-0020	AT110	Front brake oil pipe L=460+440*2	1
1-7	404006-0008	AT110	Front brake lower cylinder	1
1-8	404011-0009	AT110	front brake lock tab/bracket	1
1-9	404011-0010	AT110	front park lock kit	1
2	903019-0012-02	AT110	flange bolt M8*16	4
2	903019-0012-03	AT110	flange bolt M8*16(1.1.24~)	4
3	903018-0003-02	AT110	flange bolt M6*12	2
3	903018-0003-03	AT110	flange bolt M6*12(1.1.24~)	2

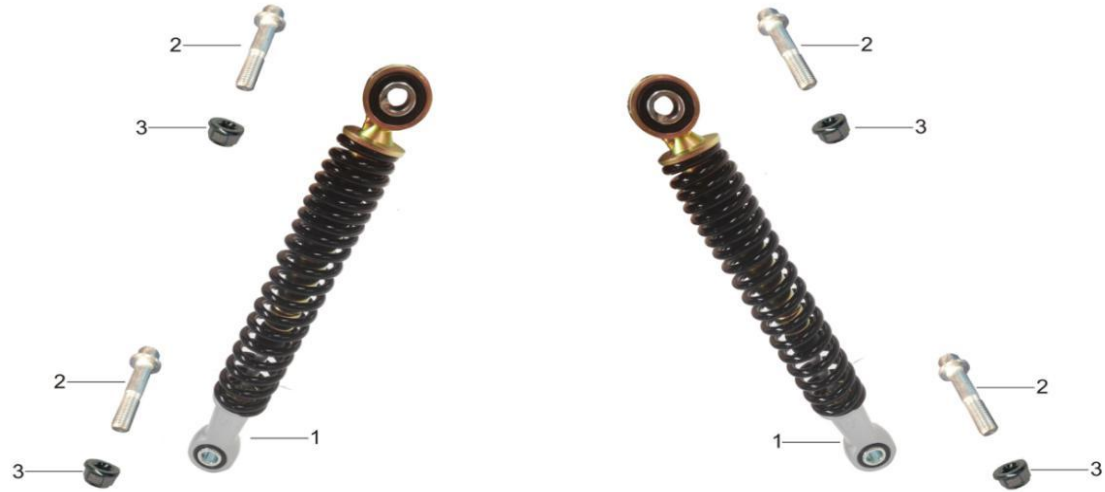
4	903018-0011	AT110	flange bolt M8*35	1
4	903018-0011-02	AT110	flange bolt M8*35(1.1.24~)	1
5	903007-0004-02	AT110	flange lock nut M8	1
5	903007-0005	AT110	flange lock nut M8(1.1.24~)	1
6	405010-0002	AT110	rear brake oil pipe clamp	2



后制动总成

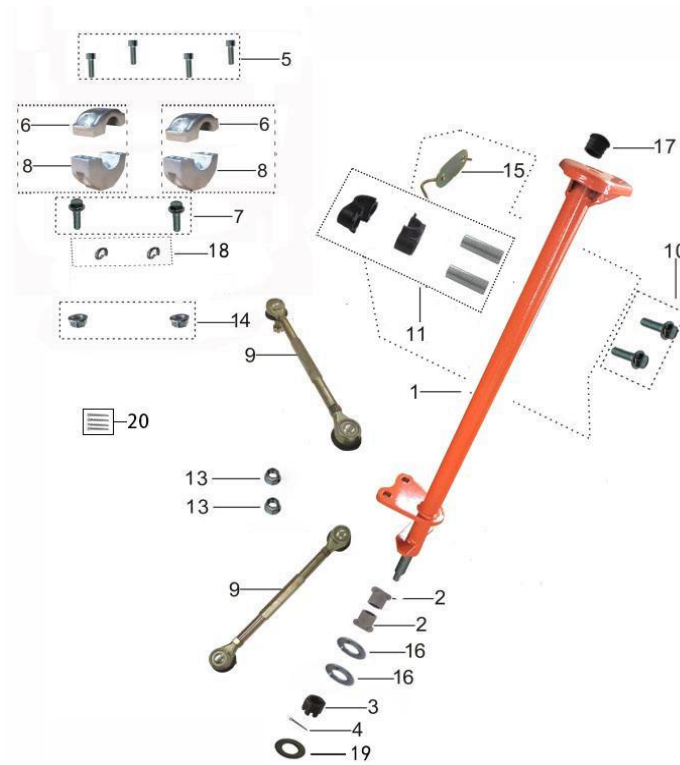
No.	U8 Code	Model	EN name	Qty/vehicle
1	405000-0123	AT110	rear brake assy L=1320	1
1	405000-0123-02	AT110	rear brake assy L=1320(1.1.24~)	1
1-1	404002-0015	AT110	left brake lever	1
1-2	405008-0007	AT110	rear brake pad	1
1-3	405009-0011	AT110	rear brake bracket	1
1-4	405012-0009	AT110	rear brake switch	1
1-4	404011-0022	AT110	rear brake switch for new rear bra	1

1-5	405007-0014	AT110	rear brake lower cylinder	1
1-6	405006-0022	AT110	front brake oil pipe assy. L=1320m	1
1-7	405004-0011	AT110	rear brake upper cylinder	1
1-8	405012-0008	AT110	rear brake lock tab/bracket	1
1-9	405012-0005	AT110	rear park lock kit	1
2	903019-0014-02	AT110	flange bolt M8*25	2
2	903019-0014-03	AT110	flange bolt M8*25(1.1.24~)	2
3	903001-0003	AT110	spring washer $\Phi 8*13*2$	2
3	903001-0003-02	AT110	spring washer $\Phi 8*13*2(1.1.24\sim)$	2
4	903002-0004-02	AT110	flat washer $\Phi 8*16*1.5$	2
4	903002-0004-03	AT110	flat washer $\Phi 8*16*1.5(1.1.24\sim)$	2



前减总成

No.	U8 Code	Model	EN name	Qty/vehicle
1	501000-0094	AT110	front fork L=265 Φ5.5	2
2	903018-0032	AT110	flange bolt M10*40*1.25	4
2	903018-0032-02	AT110	flange bolt M10*40*1.25(1.1.24~	4
3	903007-0006	AT110	flange lock nut M10*1.25	4
3	903007-0006-02	AT110	flange lock nut M10*1.25(1.1.24~	4

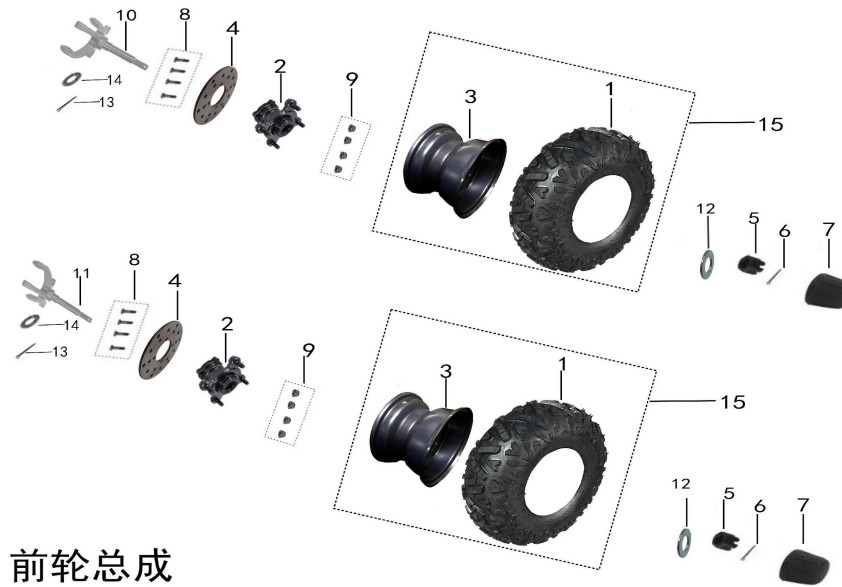


转向柱组件

No.	U8 Code	Model	EN name	Qty/vehicle
-----	---------	-------	---------	-------------

1	566000-0013-02	AT110	Steering column orange L523	1
1	566000-0013-01	AT110	Steering column black L523	1
2	902002-0031	AT110	busher 'Φ15*29*H20+Φ21+H17	2
3	903008-0009	AT110	slotted nut M10*1.25	1
3	903008-0009-02	AT110	slotted nut M10*1.25(1.1.24~)	1
4	904002-0004-02	AT110	cotter pin 3*20	1
4	904002-0004-03	AT110	cotter pin 3*20(1.1.24~)	1
5	903013-0022-02	AT110	screw M8*35	4
5	903013-0022-03	AT110	screw M8*35(1.1.24~)	4
6	601003-0023	AT110	upper raiser	2
7	903017-0011	AT110	flange bolt M10*30*1.5 S14	2
7	903017-0011-02	AT110	flange bolt M10*30*1.5 S14	2
8	601004-0028	AT110	lower raiser	2
9	603001-0006	AT110	steering linkage assy L=170 M10	2
10	903018-0015	AT110	flange bolt M8*55	2
10	903018-0015-03	AT110	flange bolt M8*55(1.1.24~)	2
11	603004-0003	AT110	steering raiser H20.5*39.5	2
13	903007-0006	AT110	flange lock nut M10*1.25	2
13	903007-0006-02	AT110	flange lock nut M10*1.25(1.1.24	2
14	903007-0007	AT110	flange lock nut M10*1.5	2
14	903007-0007-03	AT110	flange lock nut M10*1.5(1.1.24	2
15	568000-0001-02	AT110	cable clip	1
16	903003-0003	AT110	washer Φ15*21	2
17	908004-0003	AT110	plug Φ10*Φ15*14	1
18	903001-0005	AT110	washer Φ10.5*16*3	2

18	903001-0005-02	AT110	washer $\Phi 10.5*16*3(1.1.24\sim)$	2
19	903002-0008-02	AT110	washer $\Phi 10*20*2$	1
19	903002-0008-03	AT110	washer $\Phi 10*20*2(1.1.24\sim)$	1
20	904002-0002-02	AT110	cotter pin 2.5*24	4
20	904002-0002-03	AT110	cotter pin 2.5*24(1.1.24~)	4



No.	U8 Code	Model	EN name	Qty/vehicle
1	401006-0030	AT110	front tire AT19*7.0-8	2
2	401003-0008	AT110	front hub assy	2
3	401000-0058	AT110	front rim 8*5.5AT-4/88	2
4	404001-0014	AT110	front brake disc $\Phi 40.4*\Phi 110$	2
5	903008-0011	AT110	slotted nut M14*1.5*H18	2
5	903008-0011-02	AT110	slotted nut M14*1.5*H18(1.1.24~)	2

6	904002-0004-02	AT110	cotter pin 3*20	2
6	904002-0004-03	AT110	cotter pin 3*20(1.1.24~)	2
7	401011-0001	AT110	hub cover	2
8	903014-0001	AT110	screw M6*16	8
8	903014-0001-03	AT110	screw M6*16(1.1.24~)	8
9	903007-0004-02	AT110	flange lock nut M8	8
9	903007-0005	AT110	flange lock nut M8(1.1.24~)	8
10	603002-0009	AT110	left knuckle	1
11	603002-0010	AT110	right knuckle	1
12	903002-0013-02	AT110	flat washer $\Phi 15*30*2.5$	2
12	903002-0013-03	AT110	flat washer $\Phi 15*30*2.5(1.1.24\sim)$	2
13	904002-0002-02	AT110	cotter pin 2.5*24	2
13	904002-0002-03	AT110	cotter pin 2.5*24(1.1.24~)	2
14	903002-0008-02	AT110	flat washer $\Phi 10*20*2$	2
14	903002-0008-03	AT110	flat washer $\Phi 10*20*2(1.1.24\sim)$	2
15	401012-0007L	AT110	left front wheel assy	2
15	401012-0007R	AT110	right front wheel assy	2

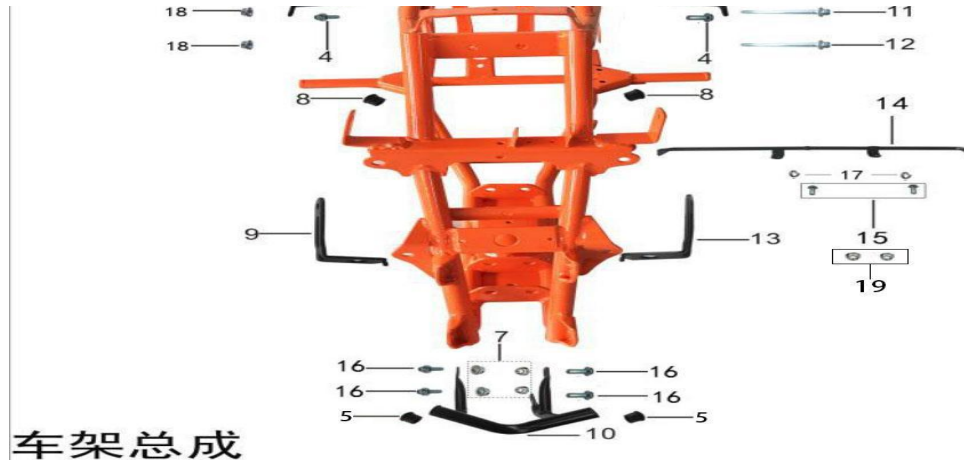




后轮总成

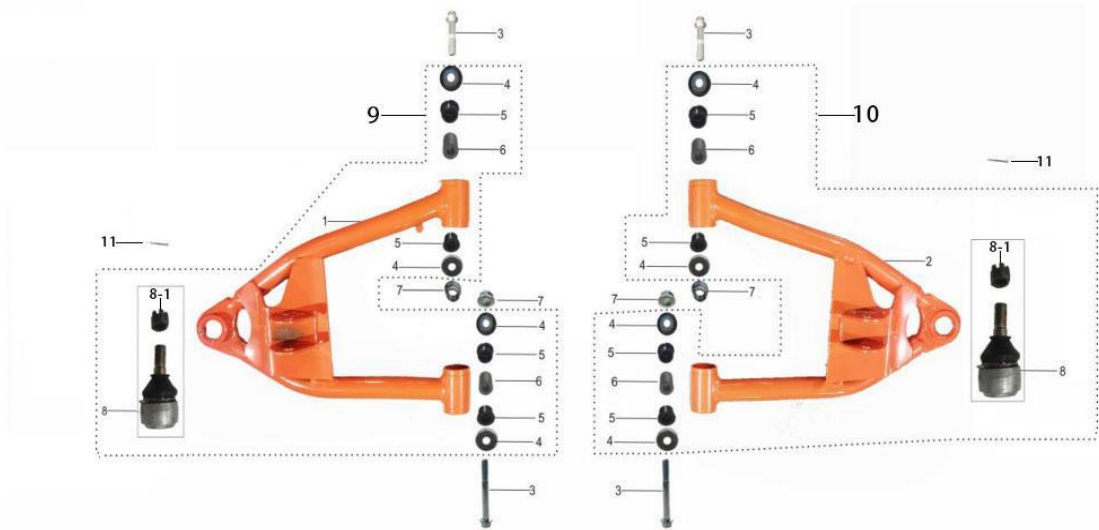
No.	U8 Code	Model	EN name	Qty/vehicle
1	402006-0020	AT110	rear tire AT18*9.5-8	2
2	904002-0006-02	AT110	cotter pin 4*28	2
2	904002-0006-03	AT110	cotter pin 4*28(1.1.24~)	2
3	402000-0064	AT110	rear rim 8*7.0AT-4/110	2
4	401011-0001	AT110	hub cover	2
5	903008-0030	AT110	nut M16*1.5*H18	2
5	903008-0030-02	AT110	nut M16*1.5*H18(1.1.24~)	2
6	903002-0014	AT110	flat washer $\Phi 17*48*3$	2
6	903002-0014-02	AT110	flat washer $\Phi 17*48*3(1.1.24~)$	2
7	903007-0006	AT110	flange locknut M10*1.25	8
7	903007-0006-02	AT110	flange locknut M10*1.25(1.1.24~)	8
8	402008-0008L	AT110	left rear wheel assy	2
8	402008-0008R	AT110	right rear wheel assy	2





No.	U8 Code	Model	EN name	Qty/vehicle
1	561000-0039-02	AT110	frame assy orange	1
1	561000-0039-01	AT110	frame assy black	1
2	568000-0003	AT110	engine lifting hanger	1
3	568000-0005	AT110	right engine lifting hanger 54*34	1
4	903020-0030	AT110	flange bolt kit M8*16	4
4	903020-0030-02	AT110	flange bolt kit M8*16(1.1.24~)	4
5	908004-0003	AT110	plug $\Phi 12 * \Phi 15 * 14$	2
6	909010-0008	AT110	EVA 82*65*4	3
7	903007-0004-02	AT110	flange lock nut M8	4
7	903007-0005	AT110	flange lock nut M8(1.1.24~)	4
8	908007-0015	AT110	plug $\Phi 14 * \Phi 19 * 17$	2
9	568000-0070	AT110	right front mounting plate 56*30*	1
10	704000-0012	AT110	front guard 203*112	1
11	903018-0023	AT110	flange bolt M8*110 J390019	1
12	903018-0022	AT110	flange bolt M8*105 J390017	1

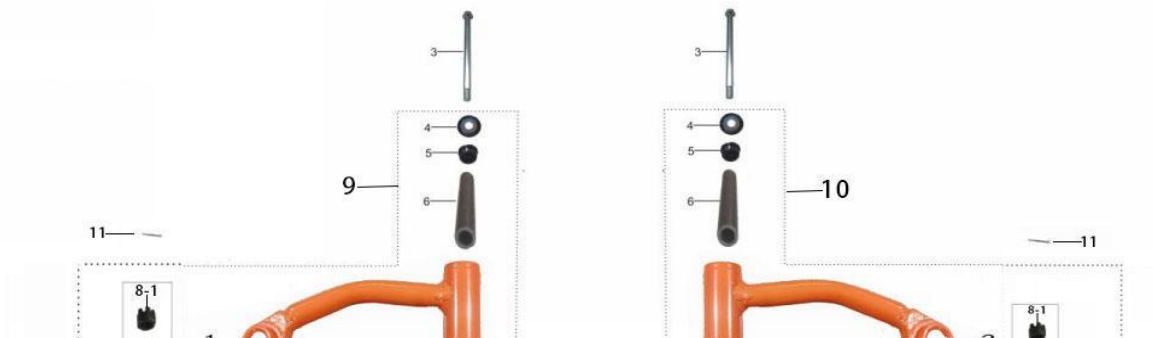
13	568000-0069	AT110	left front mounting plate 56*30*3	1
14	568000-0071	AT110	support rebar L334	1
15	903018-0003-02	AT110	flange bolt M6*12	2
15	903018-0003-03	AT110	flange bolt M6*12(1.1.24~)	2
16	903019-0013-02	AT110	flange bolt M8*20	4
16	903019-0013-03	AT110	flange bolt M8*20(1.1.24~)	4
17	903001-0002-02	AT110	spring washer Φ6	2
17	903001-0002-03	AT110	spring washer Φ6(1.1.24~)	2
18	903007-0005	AT110	flange lock nut M8 90309-KV8-84	2
19	903007-0002-02	AT110	flange lock nut M6	2
19	903007-0002-03	AT110	flange lock nut M6(1.1.24~)	2



下摇臂总成

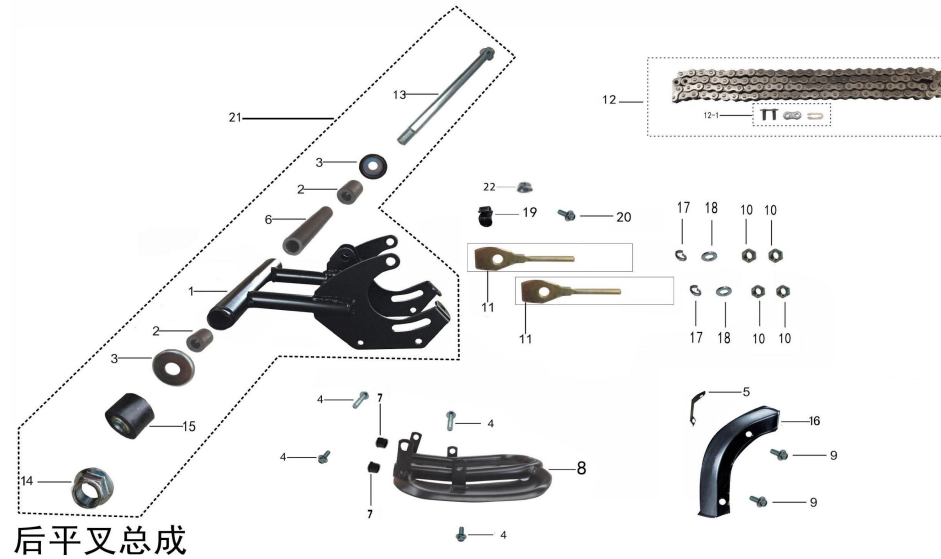
No.	U8 Code	Model	EN name	Qty/vehicle
1	565000-0065-01	AT110	left lower rockerarm orange 257*	1

1	565000-0065-02	AT110	left lower rockerarm black 257*1	1
2	565000-0066-01	AT110	right lower rockerarm orange 257	1
2	565000-0066-02	AT110	right lower rockerarm black 257*	1
3	903018-0035	AT110	flange bolt M10*70*1.25	4
3	903018-0035-02	AT110	flange bolt M10*70*1.25(1.1.24~	4
4	908007-0006	AT110	sealing cover $\Phi 10*35*H8+\Phi 27.5$	8
5	902002-0029	AT110	bushing $\Phi 16*27*14+\Phi 23+H11$ P	8
6	902001-0026	AT110	steel bushing $\Phi 10.2*16*H46$	4
7	903007-0006	AT110	flange lock nut M10*1.25	4
7	903007-0006-02	AT110	flange lock nut M10*1.25(1.1.24~	4
8	603003-0011	AT110	linkage ball	2
8-1	603005-0009	AT110	nut M10*1.25*H9	2
9	C90004-0069O	AT110	left lower rocker arm assy	1
9	C90004-0069B	AT110	left lower rocker arm assy black	1
10	C90004-0070O	AT110	right lower rocker arm assy	1
10	C90004-0070B	AT110	right lower rocker arm assy black	1
11	904002-0002-02	AT110	cotter pin 2.5*24	2
11	904002-0002-03	AT110	cotter pin 2.5*24(1.1.24~)	2





No.	U8 Code	Model	EN name	Qty/vehicle
1	565000-0064-01	AT110	right upper rockerarm orange 163	1
1	565000-0064-02	AT110	right upper rockerarm black 163*	1
2	565000-0063-01	AT110	left upper rockerarm orange 163*	1
2	565000-0063-02	AT110	left upper rockerarm black 163*1	1
3	901001-0005	AT110	flange axle $\Phi 10*185*M10*1.25m$	2
4	908007-0006	AT110	sealing cover $\Phi 10*35*H8+\Phi 27.5$	4
5	902002-0038	AT110	plastic bushing $\Phi 16*27*H23+\Phi 2$	4
6	902001-0040	AT110	steel bushing $\Phi 10.5*16*H163$	2
7	903007-0006	AT110	flange lock nut M10*1.25	2
7	903007-0006-02	AT110	flange lock nut M10*1.25(1.1.24~	2
8	603003-0011	AT110	linkage ball	2
8-1	603005-0009	AT110	nut M10*1.25*H9	2
9	C90004-0068O	AT110	right upper rocker arm assy	1
9	C90004-0068B	AT110	right upper rocker arm assy black	1
10	C90004-0067O	AT110	left upper rocker arm assy	1
10	C90004-0067B	AT110	left upper rocker arm assy black	1
11	904002-0002-02	AT110	cotter pin 2.5*24	2
11	904002-0002-03	AT110	cotter pin 2.5*24(1.1.24~)	2



No.	U8 Code	Model	EN name	Qty/vehicle
1	563000-0014-01	AT110	Rear fork 289*200*56	1
1	563000-0030-01	AT110	Rear fork L=289(1.1.24~)	1
2	902001-0053	AT110	spacer bush $\Phi 12.3*24*29$	2
3	908007-0007	AT110	sealing cover $\Phi 12*35*H8+\Phi 27.5$	2
4	903015-0005	AT110	screw M8*16	4
4	903015-0005-02	AT110	screw M8*16(1.1.24~)	4
5	568000-0010	AT110	chain cover mounting plate 57*20	1
6	901003-0007	AT110	inner lining pipe $\Phi 12.5*19*L143$	1
7	908004-0002	AT110	chain support plug $\Phi 9*16*H14$	2
8	568000-0004	AT110	chain support assy	1
9	903018-0003-02	AT110	flange bolt M6*12	2
9	903018-0003-03	AT110	flange bolt M6*12(1.1.24~)	2
10	903005-0007-02	AT110	flange nut M8	4

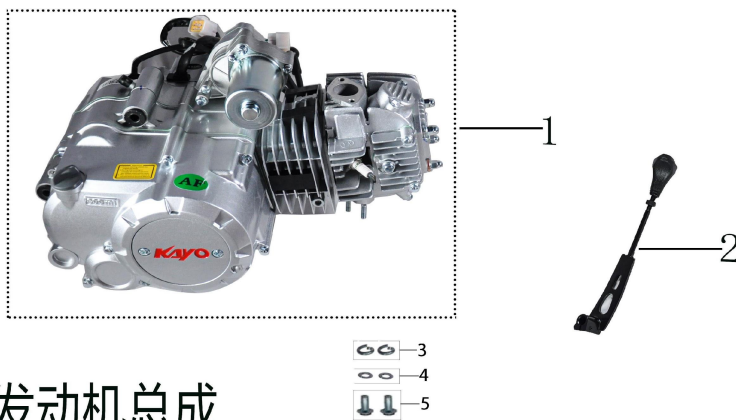
10	903005-0007-03	AT110	flange nut M8(1.1.24~)	4
11	203003-0009	AT110	chain adjuster $\Phi 13 * M8 * 85$	2
12	203000-0086	AT110	chain 420H 86L	1
12-1	203001-0002	AT110	chain joint 420H	1
13	901001-0022	AT110	flange axle $\Phi 12 * 236 * M12 * 1.25m$	1
14	903007-0008	AT110	flange lock nut M12*1.25	1
14	903007-0008-02	AT110	flange lock nut M12*1.25(1.1.24~)	1
15	203004-0024	AT110	chain guide slider $\Phi 30.5 * 43 * H38$	1
16	203004-0027	AT110	chain cover	1
17	903001-0003	AT110	spring washer $\Phi 8 * 13 * 2$	2
17	903001-0003-02	AT110	spring washer $\Phi 8 * 13 * 2(1.1.24~)$	2
18	903002-0004-02	AT110	bush $\Phi 8 * 16 * 1.5$	2
18	903002-0004-03	AT110	bush $\Phi 8 * 16 * 1.5(1.1.24~)$	2
19	405010-0001	AT110	rear brake oil pipe clamp $\Phi 10$	1
20	903019-0003	AT110	flange bolt M6*16	1
20	903019-0003-02	AT110	flange bolt M6*16(1.1.24~)	1
21	C90004-0086	AT110	fork kit	1
22	903007-0002-02	AT110	nut M6	1
22	903007-0002-03	AT110	nut M6(1.1.24~)	1





后减总成

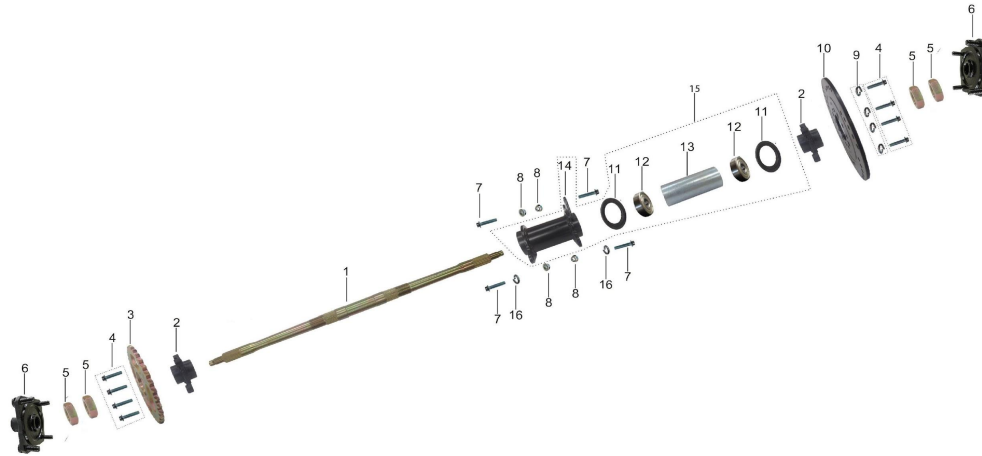
No.	U8 Code	Model	EN name	Qty/vehicle
1	502000-0049	AT110	rear shock L=265 Φ8	1
2	903018-0032	AT110	flange bolt M10*40*1.25	2
2	903018-0032-02	AT110	flange bolt M10*40*1.25(1.1.24~)	2
3	903007-0006	AT110	nut M10*1.25	2
3	903007-0006-02	AT110	nut M10*1.25(1.1.24~)	2



发动机总成

No.	U8 Code	Model	EN name	Qty/vehicle
1	H01000-0010	AT110	Engine assy	1
2	201001-0002	AT110	hand-gear shift lever 260*35*30	1
3	903001-0003	AT110	washer Φ8*13*2	2

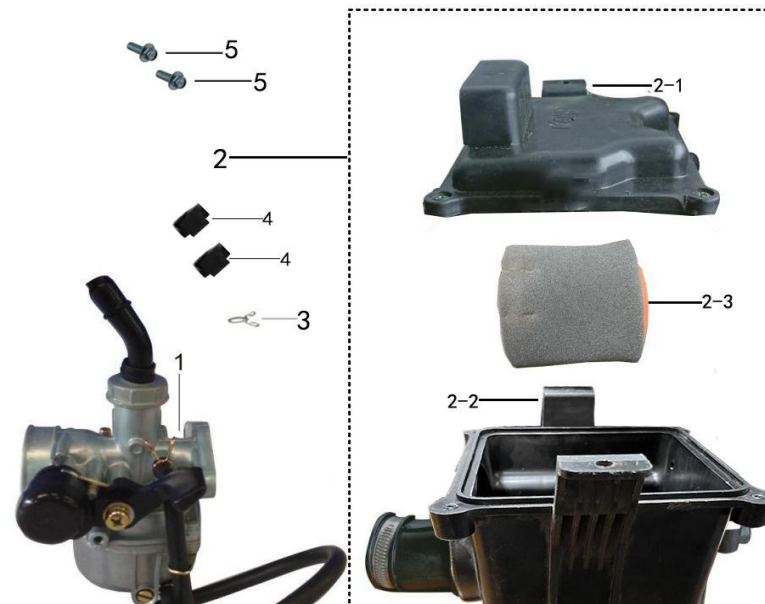
3	903001-0003-02	AT110	washer $\Phi 8*13*2(1.1.24\sim)$	2
4	903002-0004-02	AT110	washer $\Phi 8*16*1.5$	2
4	903002-0004-03	AT110	washer $\Phi 8*16*1.5(1.1.24\sim)$	2
5	903019-0013-02	AT110	bolt M8*20	2
5	903019-0013-03	AT110	bolt M8*20(1.1.24~)	2



后桥总成

No.	U8 Code	Model	EN name	Qty/vehicle
1	505001-0011	AT110	rear axle L=715*M16*1.5	1
2	205003-0004	AT110	chain pulley seat	2
3	205001-0004	AT110	rear sprocket 420/37	1
4	903019-0012-02	AT110	flange bolt M8*16	8
4	903019-0012-03	AT110	flange bolt M8*16(1.1.24~)	8
5	903008-0016	AT110	nut M27*1.5*H10	4
6	402003-0021	AT110	rear hub M10*30*1.25	2
7	903019-0025	AT110	flange bolt M12*30*1.25	4

7	903019-0025-02	AT110	flange bolt M12*30*1.25(1.1.24~	4
8	903007-0008	AT110	flange lock nut M12*1.25	4
8	903007-0008-02	AT110	flange lock nut M12*1.25(1.1.24~	4
9	903001-0003	AT110	spring washer $\Phi 8*13*2$	4
9	903001-0003-02	AT110	spring washer $\Phi 8*13*2(1.1.24\sim)$	4
10	405001-0012	AT110	rear brake disc $\Phi 48.4*180$	1
11	908001-0010	AT110	oil seal 55*35*8	2
12	907001-0010	AT110	bearing 6006RS	2
13	901003-0009	AT110	inner lining pipe $\Phi 31*35*L88$	1
14	564000-0002	AT110	rear axle	1
15	C90004-0025	AT110	rear axle assy	1
16	903001-0006	AT110	spring washer $\Phi 12*20*3$	2
16	903001-0006-02	AT110	spring washer $\Phi 12*20*3(1.1.24\sim)$	2





化油器组件

No.	U8 Code	Model	EN name	Qty/vehicle
1	102000-0105	AT110	carburetor	1
2	105000-0028-02	AT110	air filter	1
2-1	105001-0009	AT110	top cover	1
2-2	105001-0010	AT110	SHELL	1
2-3	105002-0016	AT110	FILTER ELEMENT	1
3	906002-0009	AT110	pipe clamp Φ12	1
4	908007-0056	AT110	SCOOP CAP SET 25*25	2
5	903019-0003	AT110	bolt M6*16	2
5	903019-0003-02	AT110	bolt M6*16(1.1.24~)	2



1

消音器总成



No.	U8 Code	Model	EN name	Qty/vehicle
1	106002-0031	AT110	muffler	1
2	106001-0078	AT110	muffler pipe	1
2	106001-0078-02	AT110	muffler pipe(1.1.24~)	1
2-1	106003-0002	AT110	gasket $\Phi 24*33*5.5$	1
2-2	106004-0001	AT110	muffler clamp 36-39	1
2-3	106006-0042	AT110	muffler hoop $\phi 28.05*34.85*35$	1
3	903007-0002-02	AT110	flange lock nut M6	2
3	903007-0002-03	AT110	flange lock nut M6(1.1.24~)	2
4	903019-0013-02	AT110	flange bolt M8*20	1
4	903019-0013-03	AT110	flange bolt M8*20(1.1.24~)	1
5	903007-0004-02	AT110	nut M8	1
5	903007-0005	AT110	nut M8(1.1.24~)	1

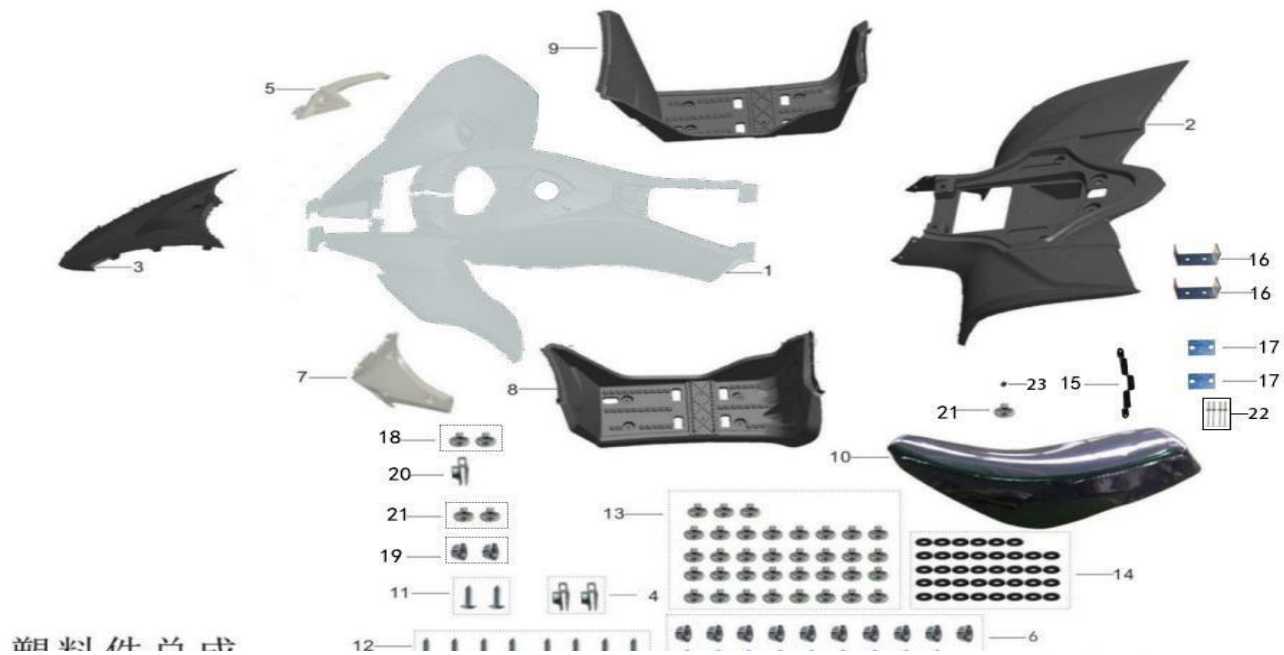
No.	U8 Code	Model	EN name	Qty/vehicle
1	309001-0138	AT110	main cable	1
1	309001-0138-02	AT110	main cable(1.1.24~)	1
2	302001-0007-02	AT110	stabilized rectifier	1
3	314001-0003-03	AT110	electric lock	1
3	314001-0003-04	AT110	electric lock(1.1.24~)	1
4	312001-0040	AT110	battery MF12V5-1A 12V5AH 113	1
5	903018-0005-02	AT110	flange bolt M6*20	1
5	903018-0005-03	AT110	flange bolt M6*20(1.1.24~)	1
6	306001-0017	AT110	ignition coil	1
7	301001-0001	AT110	relay	1
8	308002-0005	AT110	rear light	1
8	308002-0005-02	AT110	rear light(1.1.24~)	1
9	908003-0002	AT110	washer Φ 5.5*14.5*2	2
10	303001-0007-03	AT110	CDI	1
11	903018-0003-02	AT110	flange bolt M6*12	1
11	903018-0003-03	AT110	flange bolt M6*12(1.1.24~)	1
12	308001-0025	AT110	right front light	1
12	308001-0025-04	AT110	right front light(1.1.24~)	1
13	308001-0024	AT110	left front light	1
13	308001-0024-04	AT110	left front light(1.1.24~)	1

14	308004-0001	AT110	neutral indicator	1
15	308004-0002	AT110	reverse indicator	1
16	316001-0009-02	AT110	remote controller 59*43*22	1
17	908007-0021	AT110	Battery guard tape	1
18	903002-0002-02	AT110	spring washer $\Phi 6*18*1.5$	2
18	903002-0002-03	AT110	spring washer $\Phi 6*18*1.5(1.1.24\sim)$	2
19	903006-0001-02	AT110	flange nut M5	2
19	903006-0001-03	AT110	flange nut M5(1.1.24 \sim)	2



No.	U8 Code	Model	EN name	Qty/vehicle
1	805002-0014	AT110	fuel tank 4.5L	1
2	805003-0010	AT110	fuel tank cap	1
3	103003-0001	AT110	oil cooler bush $\Phi 6.5*9*10+\Phi 20*$	2

4	903019-0006	AT110	bolt M6*25	4
4	903019-0006-02	AT110	bolt M6*25(1.1.24~)	4
5	903002-0002-02	AT110	washer $\Phi 6*18*1.5$	3
5	903002-0002-03	AT110	washer $\Phi 6*18*1.5(1.1.24\sim)$	3
6	906002-0001	AT110	clip $\Phi 7.5$	6
7	108001-0002	AT110	fuel filter	1
8	903006-0002-02	AT110	flange nut M6	1
8	903006-0002-03	AT110	flange nut M6(1.1.24~)	1
9	805004-0007	AT110	tank switch	1
10	903013-0006-02	AT110	screw M6*16	1
10	903013-0006-03	AT110	screw M6*16(1.1.24~)	1
11	909010-0021	AT110	Heat insulation film 170*273*2m	1



塑料件清单

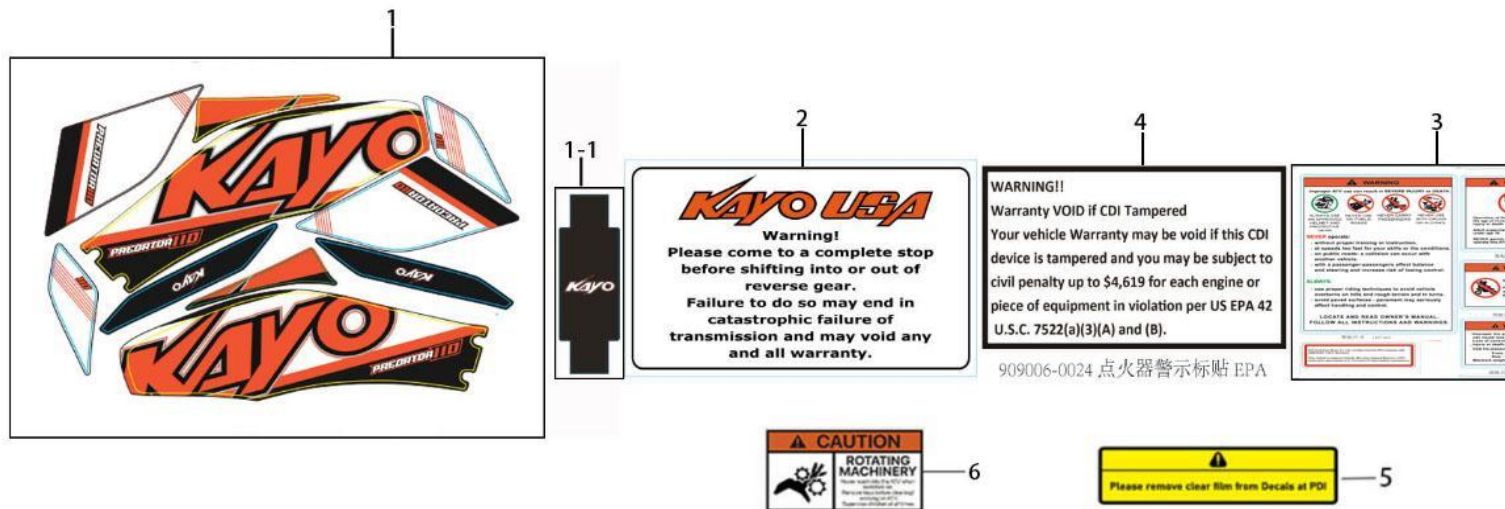
塑料件总成



塑料件安装标准件

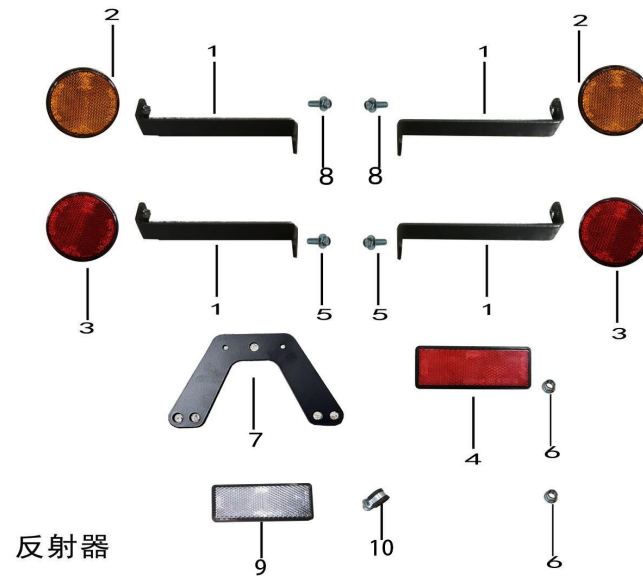
No.	U8 Code	Model	EN name	Qty/vehicle
1	803002-0012W	AT110	front cover white	1
1	803002-0012-02B	AT110	front cover black	1
2	803002-0013	AT110	rear cover black	1
3	803002-0016	AT110	head cover black	1
4	903008-0018	AT110	nut ST4.8 11*17*0.8	2
5	803002-0015	AT110	right plastic white	1
5	803002-0015-02	AT110	right plastic black	1
6	903006-0002-02	AT110	flange lock nut M6	19
6	903006-0002-03	AT110	flange lock nut M6(1.1.24~)	19
7	803002-0014	AT110	left plastic white	1
7	803002-0014-02	AT110	left plastic black	1
8	803002-0017	AT110	left footpeg black	1
9	803002-0018	AT110	right footpeg black	1
10	701000-0036-02	AT110	seat	1
11	903010-0005-02	AT110	screw ST4.2*16	2
11	903010-0005-03	AT110	screw ST4.2*16(1.1.24~)	2
12	903010-0004-02	AT110	screw ST4.2*12	8
12	903010-0004-03	AT110	screw ST4.2*12(1.1.24~)	8
13	903012-0007-02	AT110	screw TM6*16	35
13	903012-0007-03	AT110	screw TM6*16(1.1.24~)	35
14	908003-0002	AT110	rubber washer Φ5.5*15*2	38
15	568000-0068	AT110	seat front limit bracket 188*20*2	1

16	315003-0001	AT110	CDI bracket	2
17	315003-0004	AT110	CDI support plate 27.5*21*1.5	2
18	903012-0003-02	AT110	screw TM5*16	2
18	903012-0003-03	AT110	screw TM5*16(1.1.24~)	2
19	903006-0001-02	AT110	flange nut M5	2
19	903006-0001-03	AT110	flange nut M5(1.1.24~)	2
20	903008-0020-2	AT110	Clip nut M6 20*16*1.0	1
20	903008-0020-03	AT110	Clip nut M6 20*16*1.0(1.1.24~)	1
21	903012-0008-02	AT110	screw TM6*20	3
21	903012-0008-03	AT110	screw TM6*20(1.1.24~)	3
22	905001-0003	AT110	rivet Φ3.5*12	4
23	902001-0119	AT110	busher Φ6.2*8.2*H5	1



No.	U8 Code	Model	EN name	Qty/vehicle
1	804002-0091	AT110	sticker	1

1-1	804002-0090	AT110	pad cover	1
2	802013-0047	AT110	safety sticker 70*40mm	1
3	909006-0004	AT110	safety sticker	1
4	909006-0024	AT110	safety sticker 70*40mm	1
5	802013-0081	AT110	safety sticker 80*20mm	1
6	804019-0078	AT110	safety sticker 55*30mm	1



No.	U8 Code	Model	EN name	Qty/vehicle
1	568000-0065	AT110	side reflector fixing plate 91*20+2	4
2	308006-0011	AT110	front reflector Φ58 DOT	2
3	308006-0012	AT110	rear reflector Φ58 DOT	2
4	308006-0010	AT110	rear central reflector 90*30*20	1
5	903019-0012-02	AT110	bolt M8*16	2
5	903019-0012-03	AT110	bolt M8*16(1.1.24~)	2

6	903006-0001-02	AT110	nut M5	1
6	903006-0001-03	AT110	nut M5(1.1.24~)	2
7	568000-0066	AT110	rear reflector fixing plate	1
8	903019-0011-02	AT110	flange bolt M8*12	2
8	903019-0011-03	AT110	flange bolt M8*12(1.1.24~)	2
9	308006-0024	AT110	reflector 88.5*34.5*22	1
10	908007-0072	AT110	clamp Φ 18	1